



**Fire Resistant & Antistatic
Belt Repair System**

FOR CUTS ABRASIONS & HOLES

ROKRIS
INTERNATIONAL

Fire Resistant Belt Repair



FUSE FEATURES & BENEFITS

Fuse – This conveyor belt repair system is specifically formulated to be fire resistant and is anti-static (FRAS). It achieves rapid cure time and aggressive adhesion. Excellent abrasion resistance allows for long-lasting repairs, giving dramatic increases to conveyor belt service life in coal mining.

Fuse Performance:

- Simtars testing concluded Fuse complies with:
 - *Flammability AS/NZS 60079.1: 2007 (IEC 60079-1:2007)
 - *Anti-Static AS/NZS 60079.0: 2012 (IEC 60079-0:2011)
- Strong adhesion
- Excellent elasticity
- Product shelf life 12 months

Considerable Cost reduction \$ through:

- Reduced conveyor downtime
- Fast curing time. Conveyor can be restarted 1.5 hour after application
- Fix right first time
- Simple application process
- Less damage to scrapers



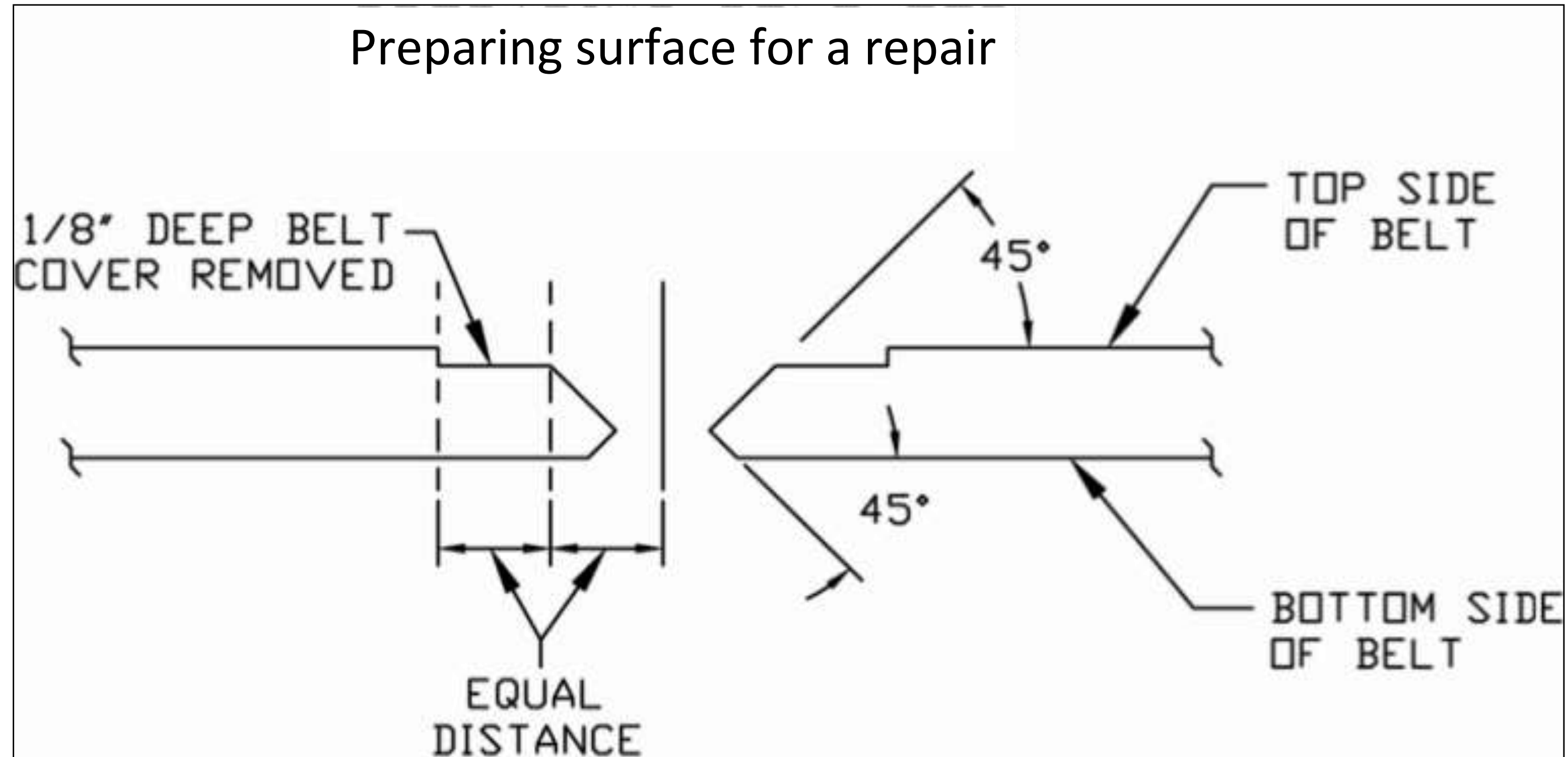
FUSE is a **PERMANENT SOLUTION** to this damage

Fuse is successful in a variety of applications. Specifically, Fuse is an ideal solution to belt damages and traditional repairs such as:

- Splice De-lamination
- Longitudinal Cuts Through Holes
- Skirt Board Abrasion Edge Damage
- Break sensor Installs Mechanical Clips

REPAIR CROSS SECTION

Preparing surface for a repair



EXAMPLE REPAIR

Fuse Repair



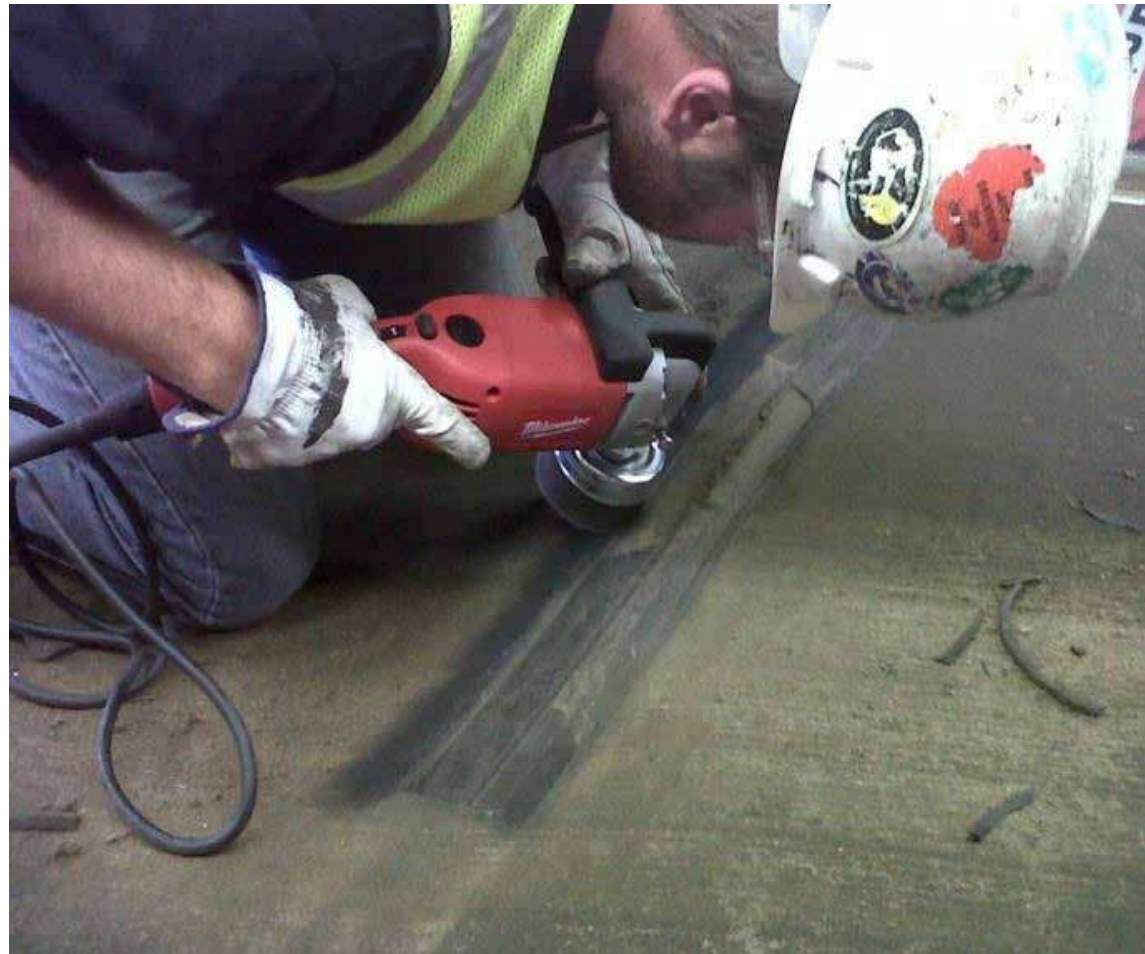
Delamination **REPAIR**



Without repair, de-lamination ultimately leads to belt failure.



DELAMINATION REPAIR CONT.



Easy surface preparation
and application



Formulated and
manufactured in Australia
to be Fire resistant and is
Anti-static!



Rapid cure time allowing for
normal use of conveyor belt
in as little as one hour.



FUSE

PROVIDES SOLUTIONS
for various types of
belt damage



Fire Resistant Belt Repair



Fuse 1kg Kit contains:

- Gloves
- Can opener
- Mixing stick
- Brush
- Trowel
- Trichloroethylene solvent 50ml
- Fuse Primer
- Fuse Isocyanate
- Fuse Polyol Black



 Phil Ryan

 +61 458 337 644

 Philr@rokris.com.au

 Enrique Elgueta

 +61 403277255

 Enrique@rokris.com

www.rokris.com